

MITYLITE®

Reveal® Flip — Leg

ASSEMBLY INSTRUCTIONS

Pg. 1

Supply List

Before beginning cart assembly, ensure that all of the following components and fasteners are included in the package.

Parts:

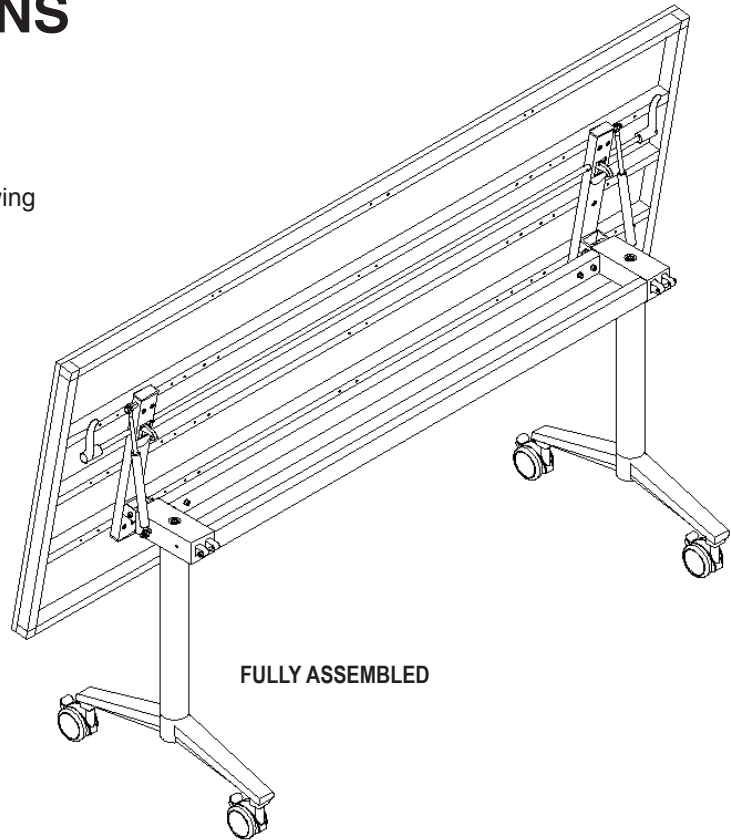
- Table Base (pre-attached to table)
- Leg Upright (2)
- Leg Pedestal (2)
- Casters (4)
- M10 X 60 Cap Screws (4)
- M10 Lock Washers (4)
- M10 Flat Washers (4)

Tools Required:

- 8mm Allen Wrench (included)
- 14mm End Wrench (included)

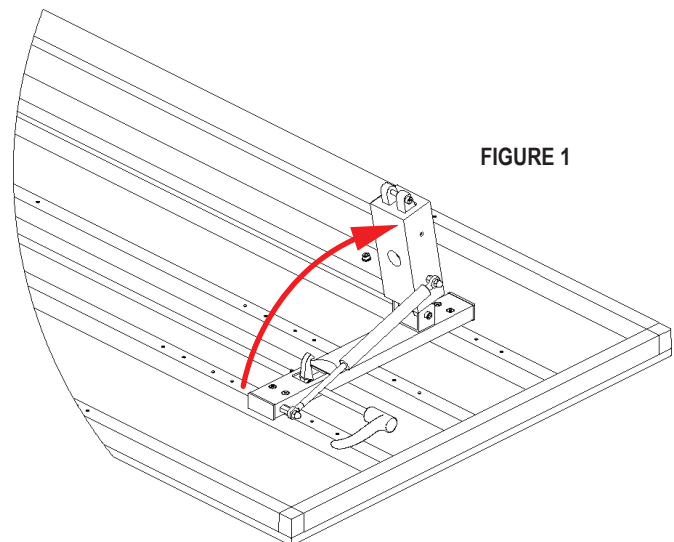
Notes:

Bolts may need to be tightened overtime.



STEP 1:

Lay the Table upside down on a flat, level surface.
Release the mechanism so it opens up. (See Figure 1)



MITYLITE®

1301 West 400 North, Orem, Utah 84057

(USA) 800-327-1692 | 801-224-0589 | Fax 801-224-6191

mitylite.com



MITYLITE[®]

Reveal[®] Flip — Leg

ASSEMBLY INSTRUCTIONS

Pg. 2

STEP 2:

Attach the Leg Uprights to the Base using two of the M10 X 60 Cap Screws, Lock Washers and Flat Washers, then tighten. (See Figure 2)

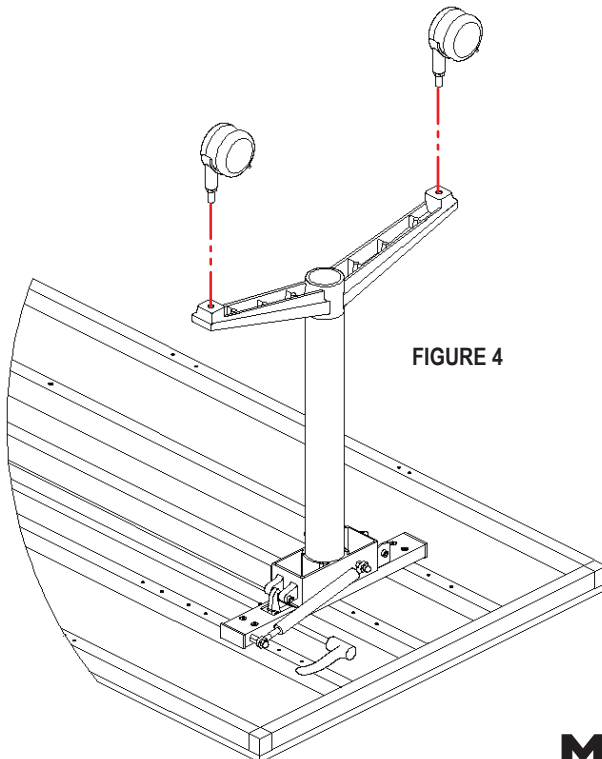
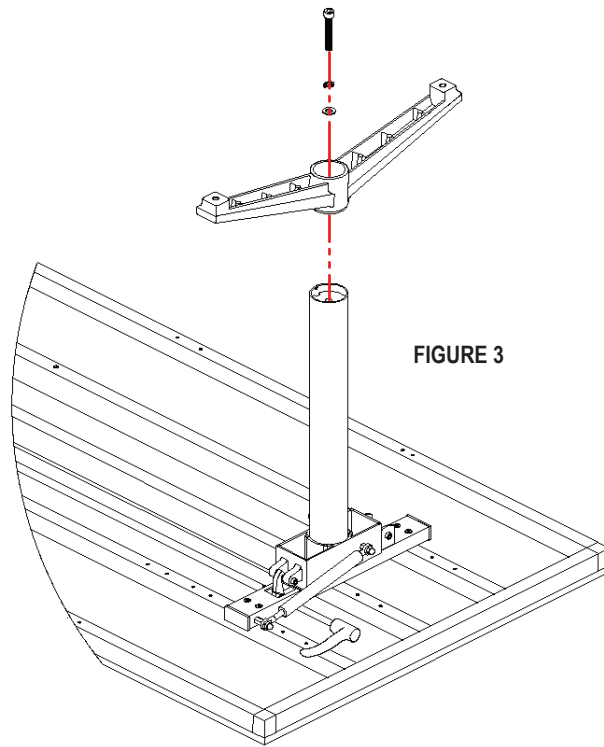
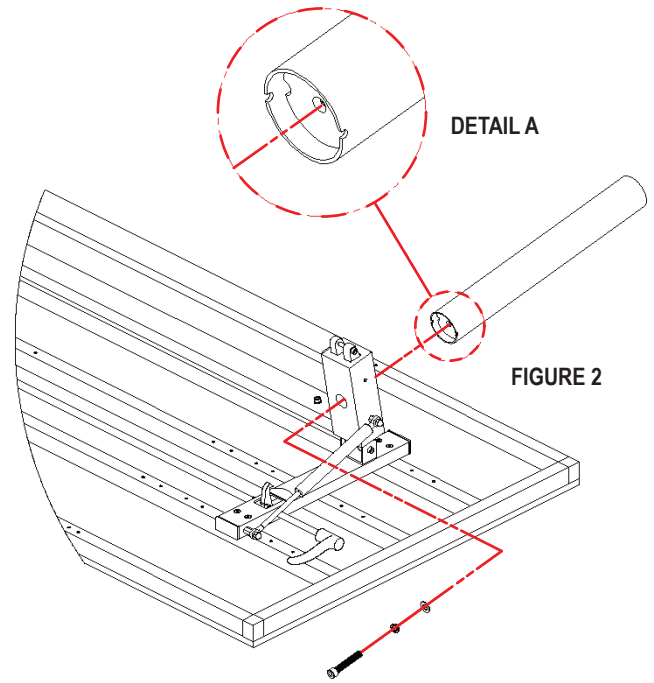
NOTE: *There are notches on the Leg Upright. Make sure the end of the Leg Upright with the two notches is inserted into the Table Base. (See Figure 2, Detail A)*

STEP 3:

Return the mechanism to the original position (the Leg Upright should be vertical). Attach the Leg Pedestal to the Leg Upright using two of the M10 X 60 Cap Screws, Lock Washers and Flat Washers. (See Figure 3) Tighten.

STEP 4:

Attach the Casters by threading them into the Leg Pedestal and tighten. (See Figure 4)



MITYLITE[®]

1301 West 400 North, Orem, Utah 84057

(USA) 800-327-1692 | 801-224-0589 | Fax 801-224-6191

mitylite.com

