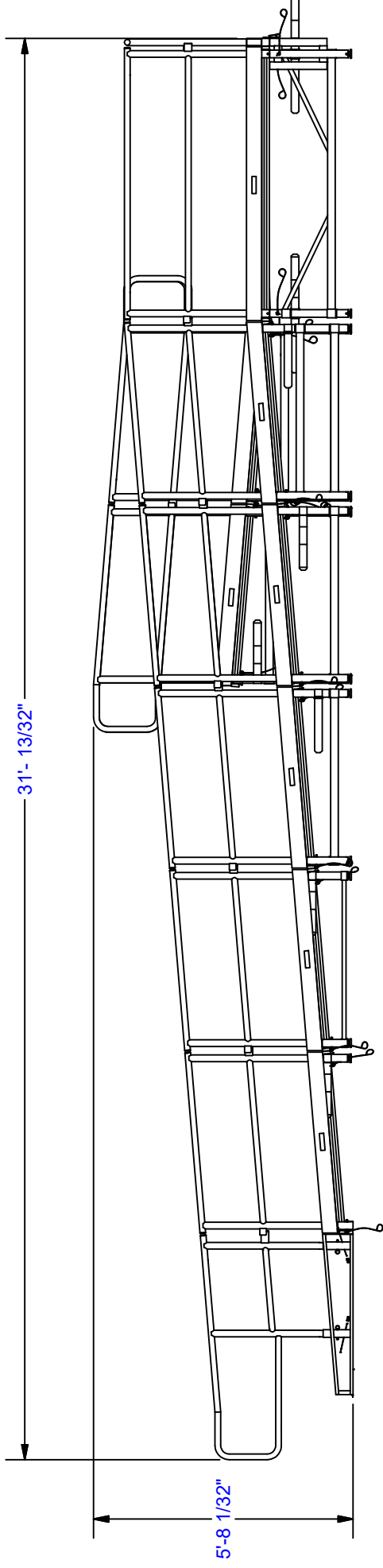
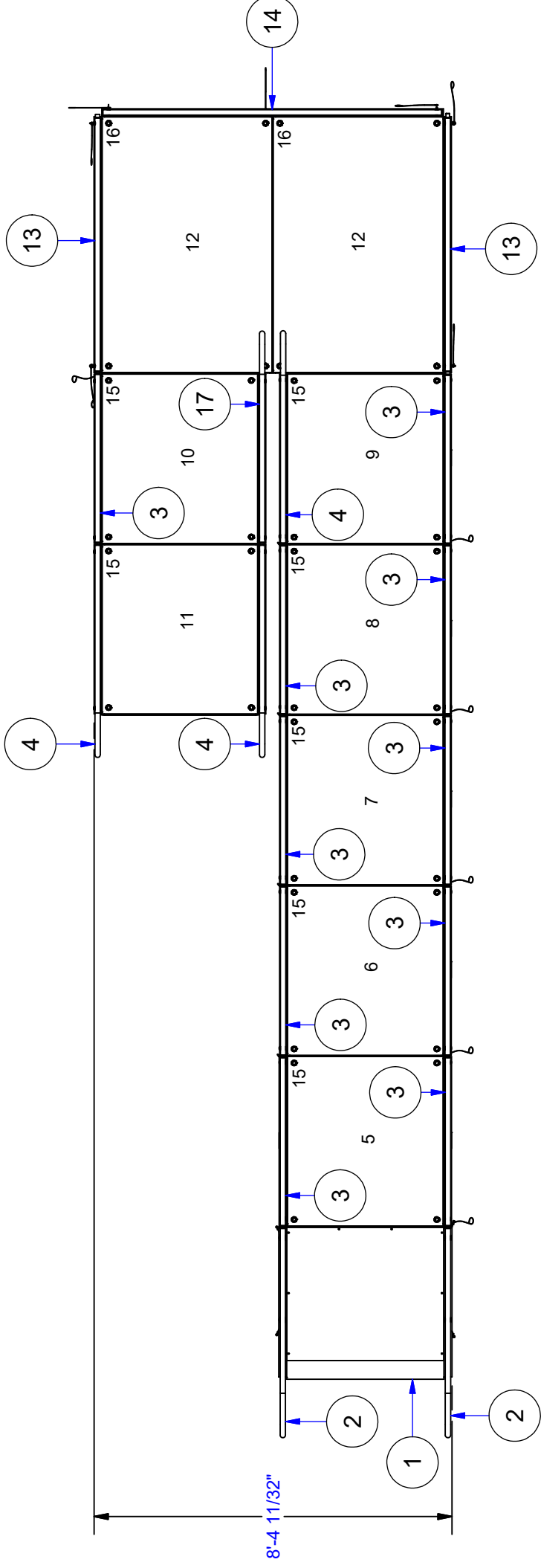


ITEM	PART NUMBER	DESCRIPTION	QTY
1	105037	RAMP TRANSITION ASY	1
2	105038	RAMP TRANSITION SIDE	2
3	105045	RAMP SIDE RAIL ASSY 4'	10
4	105053	RAMP SIDE RAIL TOP TRNSN ASSY 4'	3
5	105056	RAMP SUPP ASSY 8"	1
6	105061	RAMP SUPP ASSY 8-12	1
7	105063	RAMP SUPP ASSY 12-16	1
8	105072	RAMP SUPP ASSY 16-20	1
9	105076	RAMP SUPP ASSY 20-24	1
10	105080	RAMP SUPP ASSY 24-28	1
11	105084	RAMP SUPP ASSY 28-32	1
12	105234	RAMP LANDING SUPP ASSY 24"	2
13	105246	LANDING SIDE RAIL SUB-ASSY 6'	2
14	105254	LANDING SIDE RAIL SUB-ASSY 8'	1
15	105260	DECK 2" RAMP 44"x48"	7
16	105275	RAMP DECK 2" x 4' x 6' ASSEMBLY	2
17	105286	RAMP SIDE RAIL BTM TRNSN 4'	1



STAGERIGHT
495 PIONEER PARKWAY
CLARE, MI 48617

TOLERANCE UNLESS OTHERWISE NOTED
 X ± .030
 .XX ± .030
 .XXX ± .030
 ANGULAR ± .5°

ALL DIMENSIONS IN INCHES
 UNLESS OTHERWISE SPECIFIED

*INDICATES CRITICAL DIMENSION

Date:	8/15/2011	Drawn By:	CSR	Scale:	None	Checked By:		Weight(lbs.):		Purch.(Y/N):	N	Development Part Number:	
Material Description:													
Material Number:													
Part Name:	RAMP 0-32" ADA V2											Part or Drawing Number:	350414
													Sheet: 1 of 1